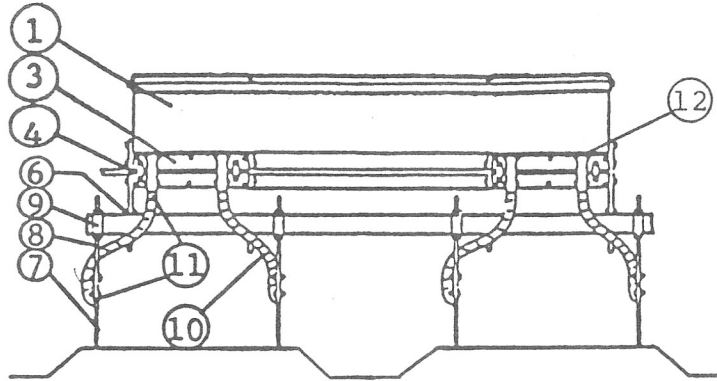


# TWO BED UNIT WITH TWO OUTLETS PER BED



- |   |                                    |
|---|------------------------------------|
| (1) HOPPER                              | (7) APPLICATOR BLADES              |
| (2) HOPPER EXTENSION (not shown)        | (8) SHANKS FOR APPLICATOR BLADES   |
| (3) KIT PLATE ASSEMBLY                  | (9) TOOL BAR CLAMPS FOR SHANKS     |
| (4) HOPPER BEARING PLATE (one required) | (10) 2" PLASTIC HOSE (2-½"/OUTLET) |
| (5) UNIVERSAL DRIVE COUPLING            | (11) 2" HOSE CLAMPS                |
| (6) TOOL BAR CLAMPS (2 per hopper)      | (12) SPOUT COVER                   |

CUSTOMER \_\_\_\_\_ PHONE \_\_\_\_\_  
 ADDRESS \_\_\_\_\_ FAX \_\_\_\_\_  
 DATE: \_\_\_\_\_

| ITEM # | QTY | MODEL #   | DESCRIPTION                         | PAGE # | PRICE | AMOUNT |
|--------|-----|-----------|-------------------------------------|--------|-------|--------|
| 1      | 1   | 160-2-194 | HOPPERS                             | 19     |       |        |
| 2      |     |           | HOPPER EXTENSIONS (optional)        | 19     |       |        |
| 3      | 2   | 19 -2     | KIT PLATE ASSEMBLIES W/             | 20     |       |        |
| 4      | 1   | HBP-2     | HOPPER BEARING PLATE (one required) | 21     |       |        |
| 5      |     |           | UNIVERSAL DRIVE COUPLINGS           | 21     |       |        |
| 6      | 2   | 4022-A    | TOOL BAR CLAMPS (2 per hopper)      | 21     |       |        |
| 7      | 4   | FAB-1     | APPLICATOR BLADES                   | 22     |       |        |
| 8      | 4   | FS-5      | SHANKS FOR APPLICATOR BLADES        | 22     |       |        |
| 9      | 4   | 4022-A    | TOOL BAR CLAMPS FOR SHANKS          | 21     |       |        |
| 10     | 15' | DH-3      | 2" PLASTIC HOSE                     | 22     |       |        |
| 11     | 8   | C-2       | 2" HOSE CLAMPS (2 per outlet)       | 22     |       |        |
| 12     | 4   | SPC-1     | SPOUT COVERS                        | 26     |       |        |
| 13     |     |           | DRIVE PACKAGE (not shown)           | 15-18  |       |        |
| 14     |     |           |                                     |        |       |        |
| 15     |     |           |                                     |        |       |        |
| 16     |     |           |                                     |        |       |        |
| 17     |     |           |                                     |        |       |        |
| 18     |     |           |                                     |        |       |        |
| 19     |     |           |                                     |        |       |        |

SYSTEM NINE (Drive package not included)

CALIBRATION INFORMATION REQUIRED FOR DRIVE PACKAGES

MATERIAL APPLIED \_\_\_\_\_ POUNDS PER ACRE \_\_\_\_\_

NUMBER OUTLETS PER BED: \_\_\_\_\_ BED SPACING: \_\_\_\_\_