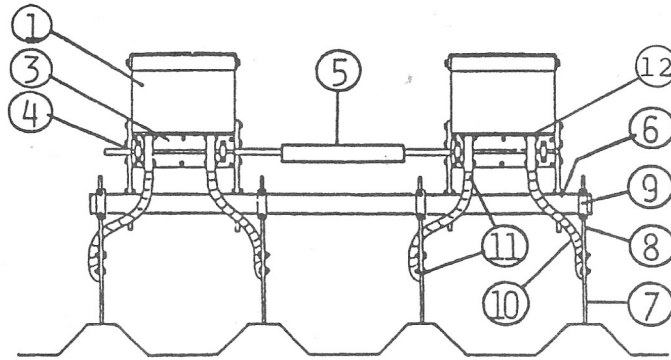


FOUR BED UNIT WITH ONE OUTLET PER BED



- | | |
|---|--|
| <ul style="list-style-type: none"> (1) HOPPER (2) HOPPER EXTENSION (not shown) (3) KIT PLATE ASSEMBLY (4) HOPPER BEARING PLATE (one required) (5) UNIVERSAL DRIVE COUPLING (6) TOOL BAR CLAMPS (2 per hopper) | <ul style="list-style-type: none"> (7) APPLICATOR BLADES (8) SHANKS FOR APPLICATOR BLADES (9) TOOL BAR CLAMPS FOR SHANKS (10) 2" PLASTIC HOSE (2-1/2"/OUTLET) (11) 2" HOSE CLAMPS (12) SPOUT COVER |
|---|--|

CUSTOMER _____	PHONE _____
ADDRESS _____	FAX _____
DATE: _____	

ITEM #	QTY	MODEL #	DESCRIPTION	PAGE #	PRICE	AMOUNT
1	2	130-1-192	HOPPERS	19		
2			HOPPER EXTENSIONS (optional)	19		
3	2	19 -2	KIT PLATE ASSEMBLIES W/	20		
4	1	HBP-2	HOPPER BEARING PLATE (one required)	21		
5	1	UC-2	UNIVERSAL DRIVE COUPLINGS	21		
6	4	4022-A	TOOL BAR CLAMPS (2 per hopper)	21		
7	4	FAB-1	APPLICATOR BLADES	22		
8	4	FS-5	SHANKS FOR APPLICATOR BLADES	22		
9	4	4022-A	TOOL BAR CLAMPS FOR SHANKS	21		
10	15'	DH-3	2" PLASTIC HOSE	22		
11	8	C-2	2" HOSE CLAMPS (2 per outlet)	22		
12	4	SPC-1	SPOUT COVERS	26		
13			DRIVE PACKAGE (not shown)	15-18		
14						
15						
16						
17						
18						
19						

SYSTEM THREE (Drive package not included)

CALIBRATION INFORMATION REQUIRED FOR DRIVE PACKAGES

MATERIAL APPLIED _____ POUNDS PER ACRE _____

NUMBER OUTLETS PER BED: _____ BED SPACING: _____