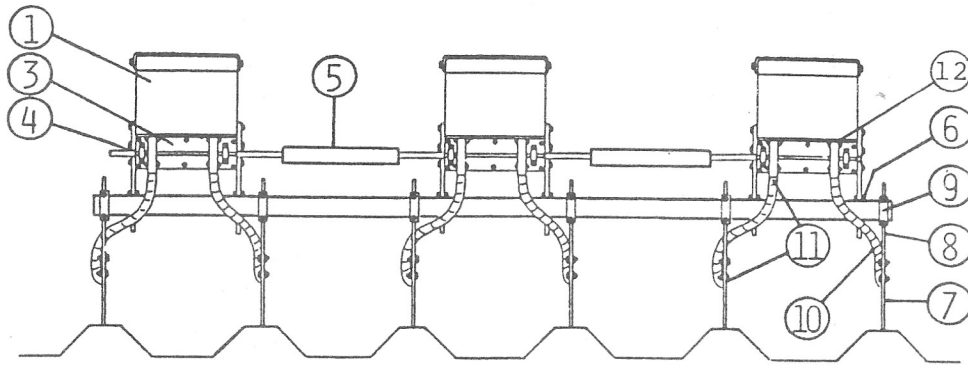


SIX BED UNIT WITH ONE OUTLET PER BED



- | | |
|---|--------------------------------------|
| (1) HOPPER | (7) APPLICATOR BLADES |
| (2) HOPPER EXTENSION (not shown) | (8) SHANKS FOR APPLICATOR BLADES |
| (3) KIT PLATE ASSEMBLY | (9) TOOL BAR CLAMPS FOR SHANKS |
| (4) HOPPER BEARING PLATE (one required) | (10) 2" PLASTIC HOSE (2-1/2"/OUTLET) |
| (5) UNIVERSAL DRIVE COUPLING | (11) 2" HOSE CLAMPS |
| (6) TOOL BAR CLAMPS (2 per hopper) | (12) SPOUT COVER |

CUSTOMER _____ PHONE _____

ADDRESS _____ FAX _____

DATE: _____

ITEM #	QTY	MODEL #	DESCRIPTION	PAGE #	PRICE	AMOUNT
1	3	130-1-192	HOPPERS	19		
2			HOPPER EXTENSIONS (optional)	19		
3	3	19 -2	KIT PLATE ASSEMBLIES W/	20		
4	1	HBP-2	HOPPER BEARING PLATE (one required)	21		
5	2	UC-2	UNIVERSAL DRIVE COUPLINGS	21		
6	6	4022-A	TOOL BAR CLAMPS (2 per hopper)	21		
7	6	FAB-1	APPLICATOR BLADES	22		
8	6	FS-5	SHANKS FOR APPLICATOR BLADES	22		
9	6	4022-A	TOOL BAR CLAMPS FOR SHANKS	21		
10	20'	DH-3	2" PLASTIC HOSE	22		
11	12	C-2	2" HOSE CLAMPS (2 per outlet)	22		
12	6	SPC-1	SPOUT COVERS	26		
13			DRIVE PACKAGE (not shown)	15-18		
14						
15						
16						
17						
18						
19						

SYSTEM FOUR (Drive package not included)

CALIBRATION INFORMATION REQUIRED FOR DRIVE PACKAGES

MATERIAL APPLIED _____ POUNDS PER ACRE _____

NUMBER OUTLETS PER BED: _____ BED SPACING: _____